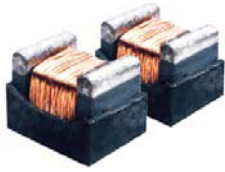


WIFC Series



The characteristics of this series perform low RDC and carry large current. These unique open type inductors offer many superior features in opposition to the molding type one of Japanese peers.

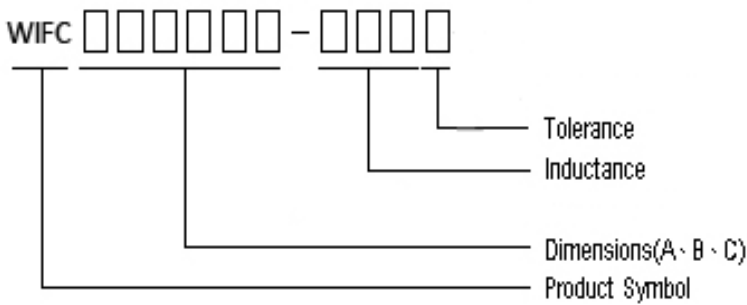
Features

- RoHS compliant
- Very strong solderability by reflow soldering and soldering iron.
- Highly accurate dimensions can be mounted automatically.
- Terminals are highly resistant to pull forces.
- Highly resistant to mechanical shocks and pressure.
- Highly reliable in environments of sudden temperature change and humidity.
- Superior IDC for DC/DC converter.

Applications

- DC/DC converter such as DSC, LCD TV, game console, portable VCRs, conveyable telephone, and others.

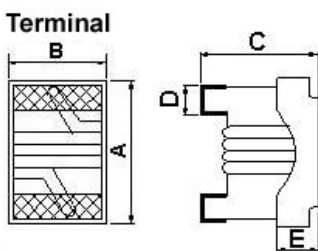
Product Identification



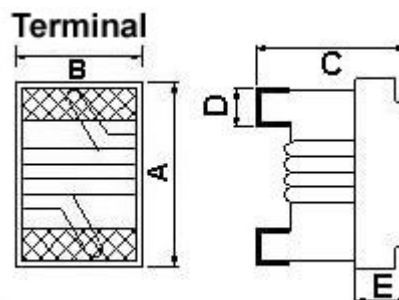
- Packaging: T : Tape and Reel

Shapes and Dimensions

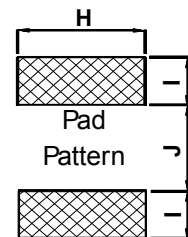
WIFC25201



WIFC32252



Recommended Pattern



Dimensions in mm

TYPE	A Max	B Max	C Max	D	E	H	I	J
WIFC252018	2.92	2.50	2.20	0.51	0.51	2.54	1.02	1.27
WIFC322522	3.70	2.90	2.60	0.51	0.51	2.70	1.00	2.00

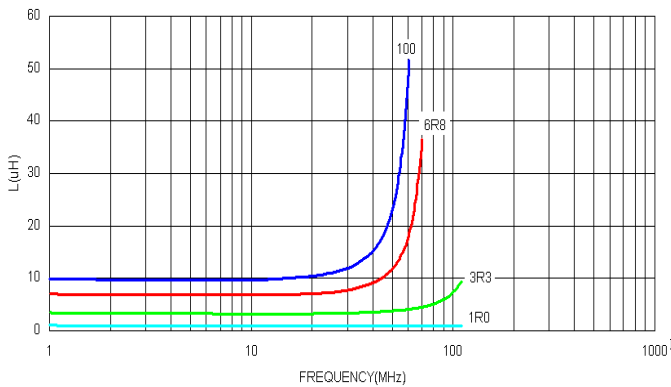
Electrical Characteristics

Part Number	Inductance (uH)	Test Frequency (MHz)	Tolerance (±%)	Q Min	Test Frequency (MHz)	SRF (MHz) Min	Rdc (Ω) Max	Idc (mA)
WIFC252018-1R0□	1.0	7.96	10 / 5	25	7.96	300	0.34	1500
WIFC252018-1R5□	1.5	7.96	10 / 5	25	7.96	270	0.42	1400
WIFC252018-2R2□	2.2	7.96	10 / 5	25	7.96	140	0.50	1200
WIFC252018-3R3□	3.3	7.96	10 / 5	25	7.96	95	0.65	1000
WIFC252018-4R7□	4.7	7.96	10 / 5	25	7.96	90	0.80	800
WIFC252018-6R8□	6.8	7.96	10 / 5	25	7.96	68	1.00	730
WIFC252018-100□	10	2.52	10 / 5	20	2.52	45	1.50	700
WIFC252018-150□	15	2.52	10 / 5	20	2.52	40	2.20	500
WIFC252018-220□	22	2.52	10 / 5	20	2.52	25	2.70	470
WIFC252018-330□	33	2.52	10 / 5	20	2.52	25	4.00	400
WIFC252018-470□	47	2.52	10 / 5	16	2.52	20	8.00	300

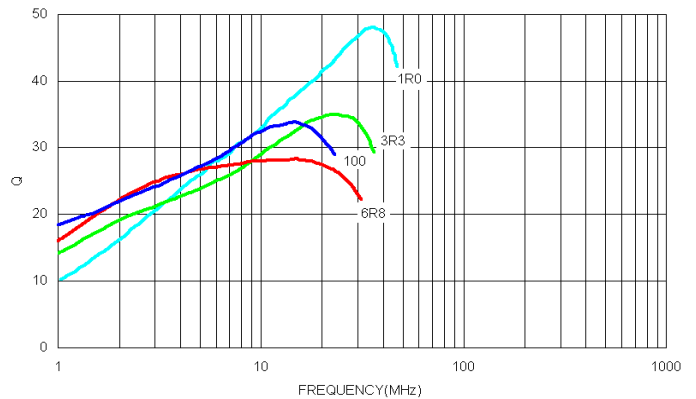
- When ordering, please specify tolerance and packaging codes.
- Tolerance: J = ±5%, K = ±10%
- L / Q : Agilent/HP4291 + Agilent/HP16197A
- SRF : Agilent/HP4291A
- RDC : DIGITAL MULTIMETER CH502BC/ HP4338B
- Idc for Inductance drop 10% from its value without current.
- Operating temperature range from -25°C to 105°C. (Including self - temperature rise)

Test Instruments : HP4291A Material/Impedance Analyzer

L vs. F



Q vs. F

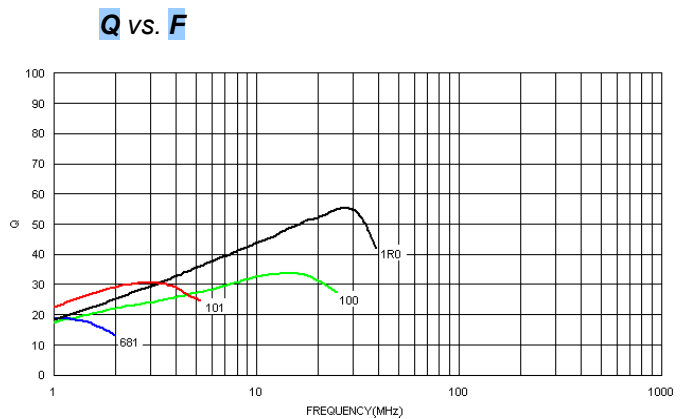
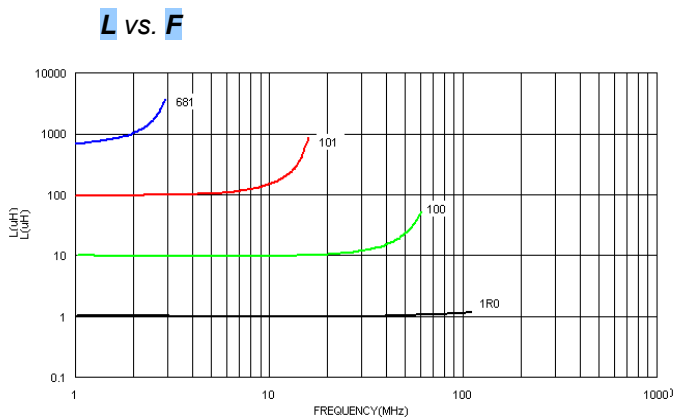


Electrical Characteristics

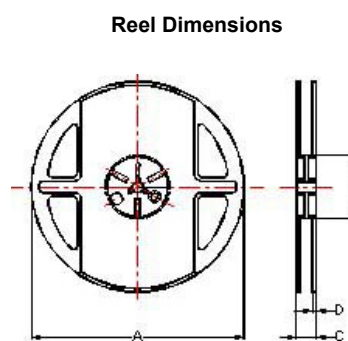
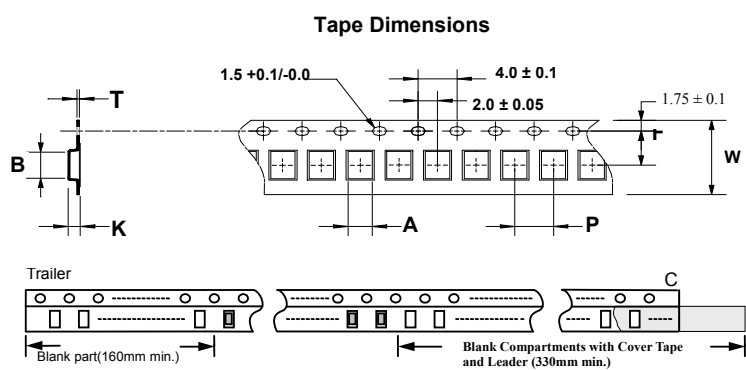
Part Number	Inductance (uH)	Test Frequency (MHz)	Tolerance (±%)	Q Min	Test Frequency (MHz)	SRF (MHz) Typ	Rdc (Ω)±30%	Idc (mA)
WIFC322522-R47□	0.47	25.2	5 / 10	40	25.2	450	0.07	1800
WIFC322522-1R0□	1.0	7.96	5 / 10	20	7.96	100	0.08	1500
WIFC322522-1R2□	1.2	7.96	5 / 10	20	7.96	90	0.12	1400
WIFC322522-1R5□	1.5	7.96	5 / 10	20	7.96	80	0.13	1125
WIFC322522-1R8□	1.8	7.96	5 / 10	20	7.96	70	0.13	970
WIFC322522-2R2□	2.2	7.96	5 / 10	20	7.96	68	0.13	970
WIFC322522-3R3□	3.3	7.96	5 / 10	20	7.96	54	0.16	837
WIFC322522-4R7□	4.7	7.96	5 / 10	20	7.96	43	0.23	675
WIFC322522-5R6□	5.6	7.96	5 / 10	20	7.96	36	0.26	620
WIFC322522-6R8□	6.8	7.96	5 / 10	20	7.96	33	0.27	600
WIFC322522-8R2□	8.2	7.96	5 / 10	20	7.96	30	0.32	580
WIFC322522-100□	10	2.52	5 / 10	15	2.52	28	0.36	520
WIFC322522-150□	15	2.52	5 / 10	15	2.52	19	0.56	480
WIFC322522-220□	22	2.52	5 / 10	15	2.52	16	0.77	310
WIFC322522-270□	27	2.52	5 / 10	15	2.52	13	1.00	280
WIFC322522-330□	33	2.52	5 / 10	15	2.52	12	1.10	270
WIFC322522-470□	47	2.52	5 / 10	15	2.52	10	1.64	210
WIFC322522-680□	68	2.52	5 / 10	15	2.52	9	2.80	189
WIFC322522-101□	100	0.796	5 / 10	15	0.796	6	3.70	145
WIFC322522-151□	150	0.796	5 / 10	15	0.796	5	6.10	120
WIFC322522-181□	180	0.796	5 / 10	15	0.796	4	8.00	105
WIFC322522-221□	220	0.796	5 / 10	15	0.796	4	8.40	100
WIFC322522-331□	330	0.796	5 / 10	15	0.796	3.5	12.3	80
WIFC322522-471□	470	0.796	5 / 10	15	0.796	2.8	22.0	75
WIFC322522-561□	560	0.796	5 / 10	15	0.796	2.5	23.0	65
WIFC322522-681□	680	0.796	5 / 10	15	0.796	2	28.0	65

- When ordering, please specify tolerance and packaging codes.
- Tolerance: J = ±5%, K = ±10%
- Packaging: Clear tape and reel {standard}.
- L/Q: Agilent/HP4291A+Agilent/HP16197A (over 1MHz); Agilent/HP4285A+Agilent/HP16197A (under 1MHz)
- SRF: Agilent/HP4291A
- RDC: HP4338B/ CH502BC
- Idc for Inductance drop 10% from its value without current.
- Operating temperature range from -25°C to 105°C. (Including self - temperature rise)

Test Instruments : HP4291A Material/Impedance Analyzer



Packaging Specifications



Dimensions in mm

TYPE	Tape Dimensions							Reel Dimensions				Quantity
	A	B	T	W	P	F	K	A	B	C	D	PCS / Reel
WIFC252018	2.61	2.93	0.26	8	4	3.5	2.25	178	60	12	1.5	2000
WIFC322522	2.95	3.85	0.25	12	4	3.5	2.45	178	60	16	1.4	2000